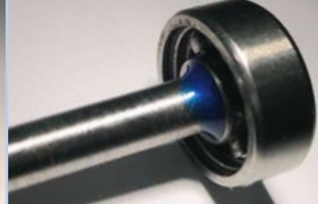


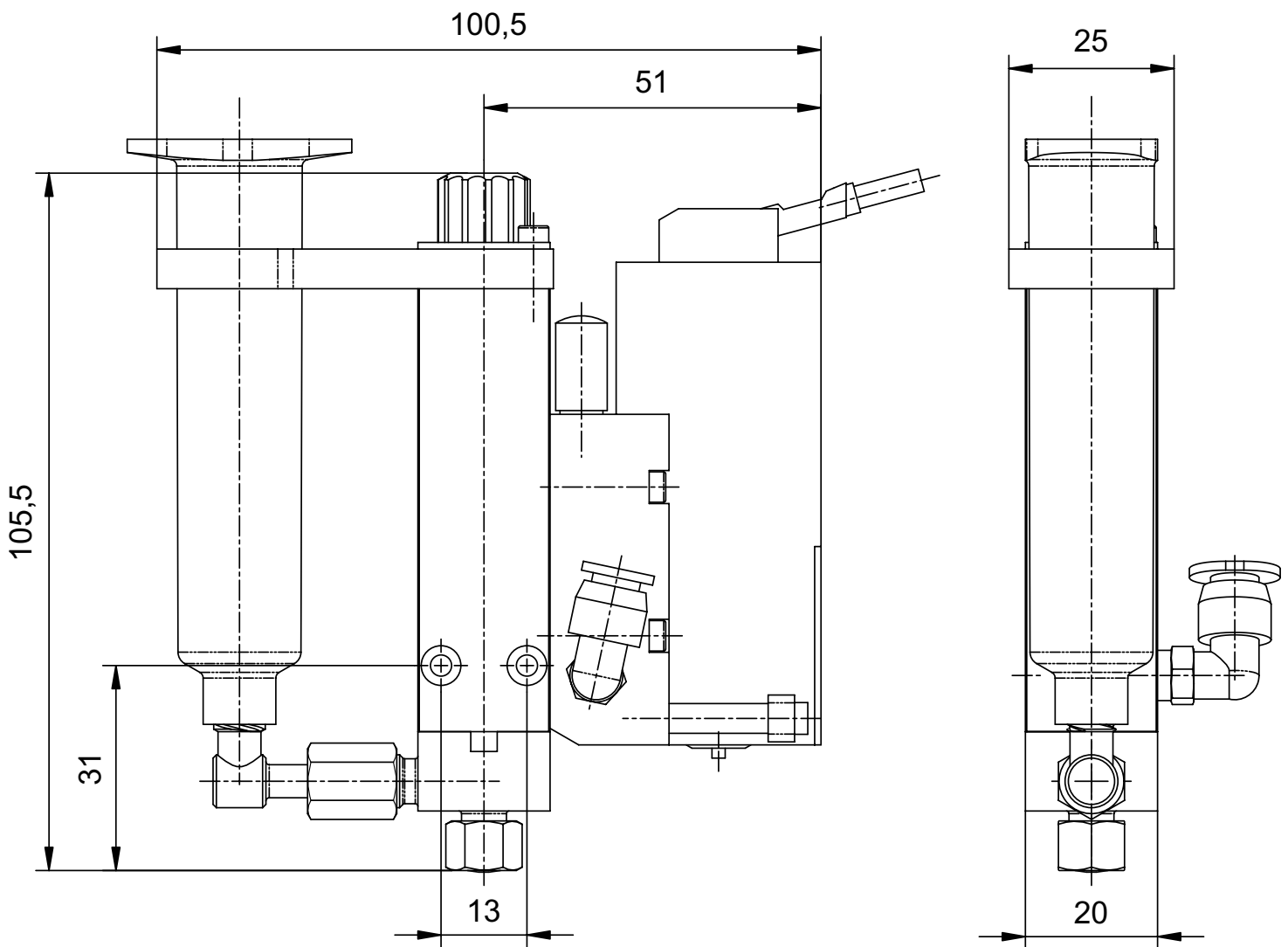
Micro-dispensing Valve P-Jet AN

Pneumatic high-speed
jet valve for dispensing
anaerobic fluids



Features

- Switching time from 2 ms
- Driven by 24 V DC input signal
- Normally closed
- Small shot volumes from 50 nl
- High accuracy < 3%
- Robust and suitable for industrial applications
- Easy to use and maintain



Specifications

Integrated Dispensing Systems
 PO Box 271
 Banbury
 OX16 9FE

Phone 01295 277731
 Fax 01295 277732
enquiries@fluidmetering.co.uk
www.fluidmetering.co.uk

Initial position	NC (normally closed)
Shot size	From 50 nl
Viscosity range	50 – 3.000 mPas (thixotrop)
Accuracy	< 3%
Frequency	Up to 150 Hz
Fluid pressure	Up to 10 bar
Operating medium	Cleaned compressed air, oil-free, filter unit (40 µm)
Operating pressure	2 to 8 bar
Switching time	min ≥ 2 ms
Electrical input	24 V, SPS compatible
Service life	> 10 ⁸ shots
Weight	240 g
Ambient temperature	-5 to +40° C
Construction	Robust industrial design