

No-Drip® Flow Control Valve with Quick-Service™ Cartridge

Features and Benefits



2600-060 Series Flow Control Valve
with Quick-Service™ Cartridge

- ▶ High pressure capable (max. 5,000 PSI working pressure)
- ▶ **No-Drip®** Tungsten Carbide ball-end needle, carbide seat and anti-abrasive hard-coated needle provides maximum life
- ▶ One-piece Quick-Service™ cartridge (piston, needle, seals) can be changed in under two minutes without removing valve
- ▶ Ideal for on-off fluid flow control of low to high viscosity materials such as adhesives, sealants and lubricants
- ▶ Available with Aluminum or Stainless Steel wetted parts
- ▶ Double air operated (air to open / air to close) insures immediate start and stop
- ▶ Fail-safe spring to close valve in case of loss of air supply
- ▶ Mounts in-line on meter fluid ports or mounts to surfaces
- ▶ When used as a dispense valve, two (2) screws and two (2) dowel pins ensure accurate/repeatable nozzle position
- ▶ 3/8 NPT fluid ports on 3 sides for convenient connection
- ▶ 1/8 NPT air-to-open ports on 3 sides makes pneumatic connection easy and convenient

What if you had longer production life and faster maintenance?

It's Durable, simple and cost-effective

- Longer production life
- Fast 1-piece cartridge assembly replacement
- No Service Manual Required
- Minimum MTTR (Mean Time To Repair)

It's Engineered for maximum production life

- One (1) moving wetted part
- Wear resistant seals
- Tungsten carbide components
- High volume, repetitive operations
- For filled abrasive materials



Quick-Service™ Cartridge

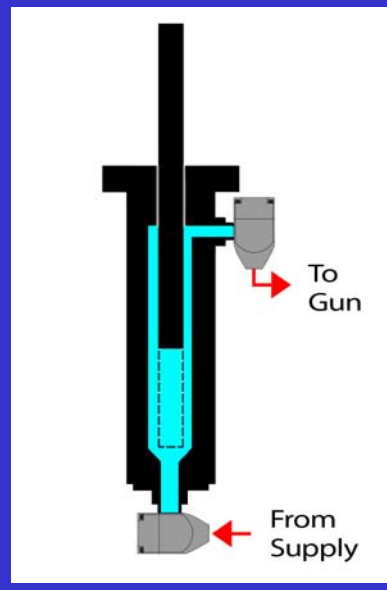
2600-060 Series Quick-Service™ Valves



Specifications:

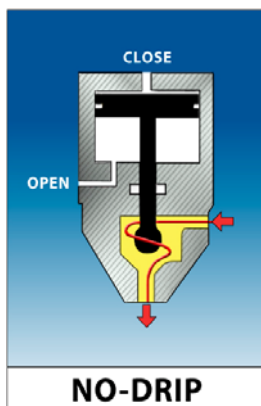
Max. Inlet Pressure:	5,000 P.S.I.
Dimensions:	2.25" Square x 4.62" long
Material Choices:	Aluminum or Stainless Steel
Fluid Inlet Ports:	Three (3) 3/8" NPT female side ports
Fluid Outlet Port:	3/8" NPT female on tapered end
Fluid Operation:	Select one 3/8" NPT Body Side port Plug two remaining 3/8 NPT ports Attach any nozzle to outlet port
Air To Open Ports:	Three (3) 1/8" NPT body side ports
Air To Close Ports:	One (1) 1/8" NPT cap side port
Air Operation:	Double Air Operated; 60 PSI Min. (3) Side Ports: Air to Open (1) Rotatable Cap Port: Air to Close
Mounting:	(2) 1/4" Socket Head Cap Screws
Alignment:	(2) 1/4" Dowel Holes

1-Component Meter System With 2-Valve Installation



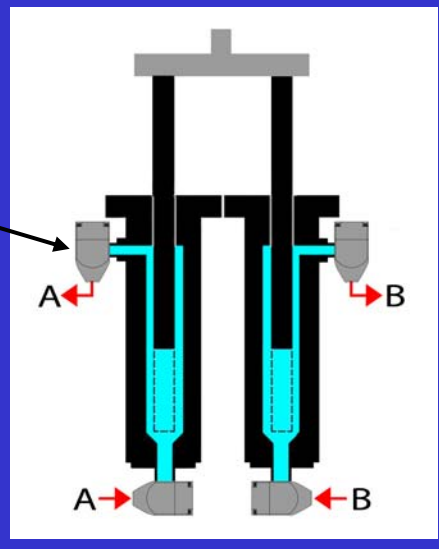
Typical compatible materials:

- One- or two-part acrylics
- One- or two-part epoxies
- One- or two part silicones
- One- or two part urethanes
- PVC plastisol
- Oils and Lubricants
- Greases
- Rubber based mastics
- Polyols and Resins
- Catalysts and Hardeners



**2600-060 Quick-Service™
Valve Operating Principle**

2-Component Meter System With 4-Valve Installation



Part Number Ordering Information:

- 2600-060-000-AA . . . Stainless Steel Valve Assembly**
2600-060-001-AA . . . Aluminum Valve Assembly
2150-555-000 Quick Change Cartridge - SST body
2150-555-001 Quick Change Cartridge - Alum. body

Form 2600-060 Ver A



Manufacturers of Precision Dispense Systems & Valves

45677 Helm Street • P.O. Box 701460
 Plymouth, MI 48170 • USA
 Phone: (734) 459-8600 Fax: (734) 459-8686
www.SealantEquipment.com
 Email: valves@sealantequipment.com